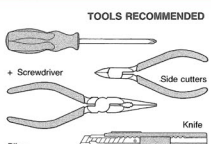


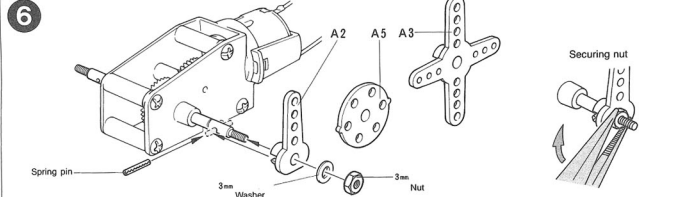
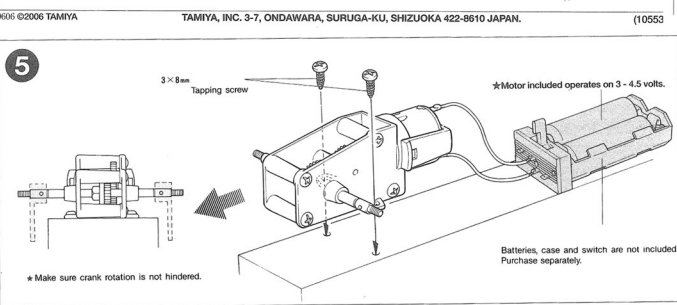
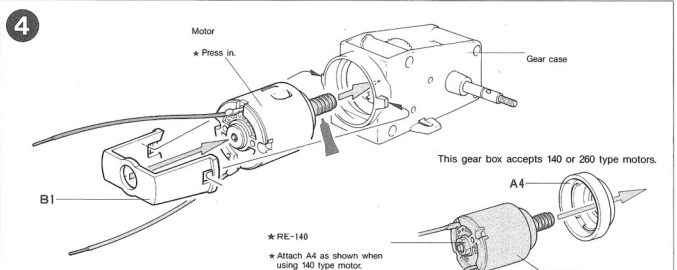
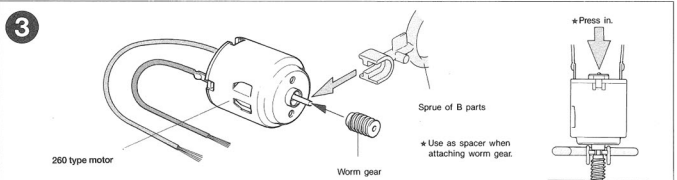
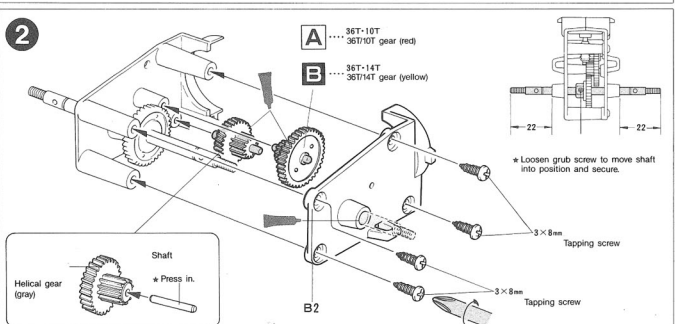
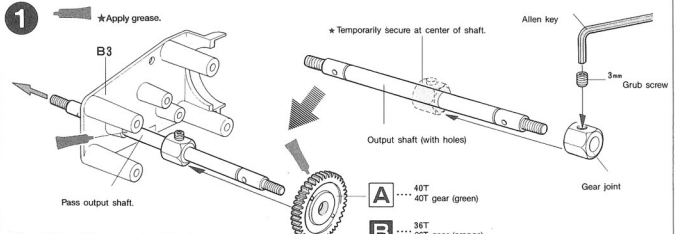
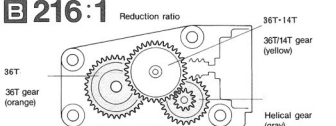
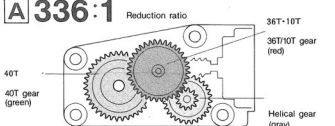


**WARNING:**  
 This set contains small parts which may be hazardous to children under three.  
 This toy is battery operated. Follow instructions for proper battery installation.  
 This set contains parts which have sharp points and edges. Sand jagged edges before use.  
 Keep fingers free from moving parts.  
 Product may overheat during prolonged use.

**CAUTION:**  
 Read instructions carefully before use. Assembly required. Tools not included.



One of two gear ratios can be selected with the gears provided. Select one according to your application.



**応用 APPLICATION**

indicated parts are not included in kit.

**Attaching pulley for belt drive**

★Remove unnecessary arms.

**Changing to rectilinear movement**

May also use crank rod.

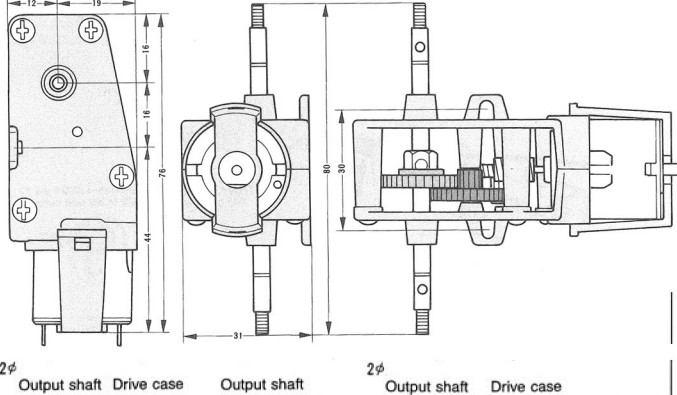
**Using cam for vertical movement**

**Rotating disk**

**Use extra shaft as front axle for car, etc.**

A1

**Attaching E-Ring**



**SECURING GEARBOX**

★CAUTION ●Suitable voltage: 3V  
 ●Do not hinder rotation of output shafts. May cause damage to gears.

Wood

Thin plate (metal, plastic)

3x8mm Tapping screw

3x8mm Screw

3mm Nut